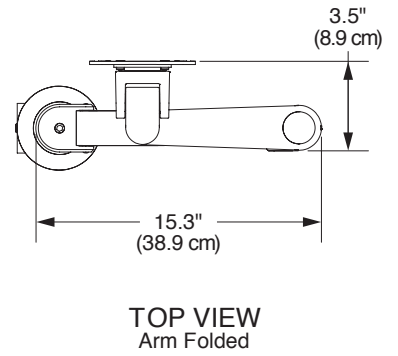
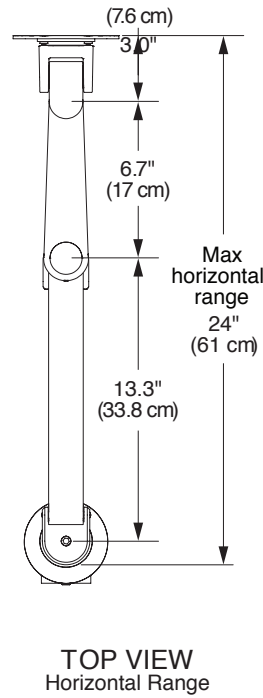
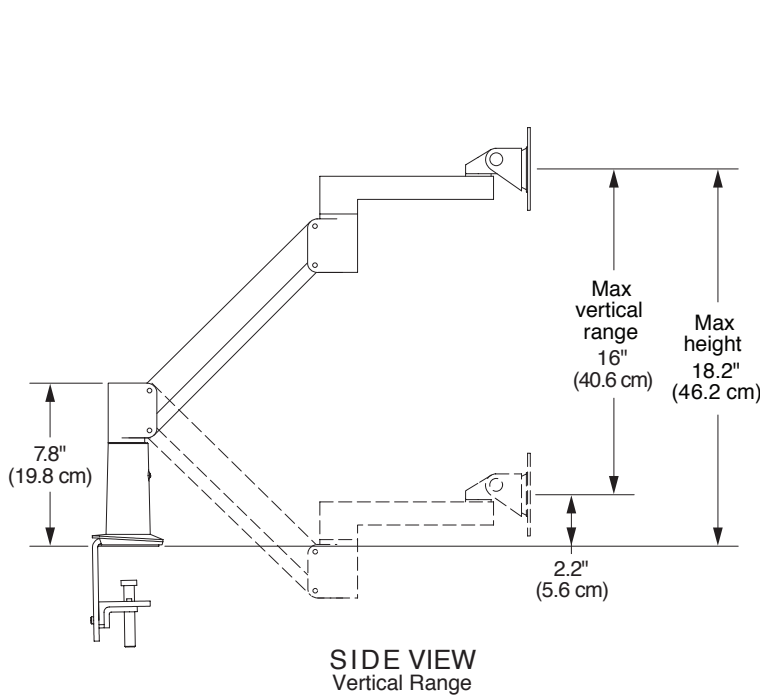


Model 62457-7000

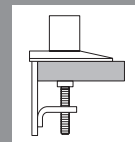
Specifications



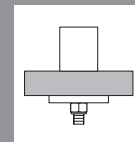
CAPABILITIES

Vertical range	16" (40.6 cm)
Horizontal range	24" (61 cm)
Rotation	360 degrees at three joints
Monitor tilt	200 degrees
Monitor pivot	Landscape to portrait
Monitor compatibility	VESA® 75mm and 100mm
Cable management	Cables are concealed in arm
Monitor weight, model number	0.9 - 5.9 kg (2 - 13 lbs), 7000-500 2.2 - 7.7 kg (4.8 - 17 lbs), 7000-600 3.4 - 11.3 kg (7.5 - 25 lbs), 7000-800 5.4 - 14.1 kg (12 - 31 lbs), 7000-1000

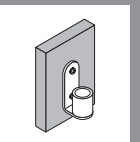
FLEXMOUNT CONFIGURATIONS



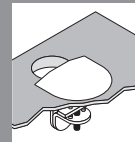
Desk Clamp



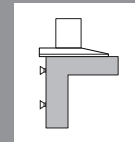
Thru-Desk



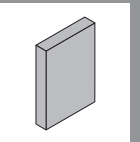
Wall



Grommet Hole

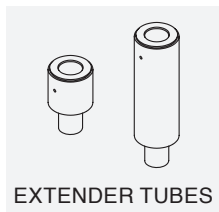


Side Bolt

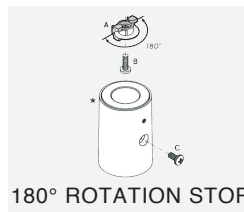


Reverse Wall

OPTIONAL ACCESSORIES



Raise the height of your arm 2" (5.08cm) and 6" (15.24cm) extensions available.



Web: www.LCDarms.com

Uplifting
ergonomic furniture solutions

Web: www.uplifting.com.au

This product is protected by one or more of the following U.S. Patent Nos., and other United States and foreign patents applied for: 119,345, 119,346, 1,324,842, 2,470,525, 6,076,785, 6,273,383, 6,409,134, 6,478,274, 6,499,704, 6,505,988, 6,609,691, 6,19,606, 6,719,253, 6,726,167, 6,736,364, 6,783,105, 6,854,698, 6,915,994, 6,935,883, 6,955,328, 6,983,917, 6,986,489, 7,014,157, 7,017,874, 7,048,242, 7,059,574, 7,063,296, 7,066,433, 7,066,435, 7,389,965, 7,665,699, D435,852, D491,952, D492,893, D570,853, D575,293.